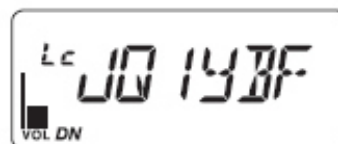


- After successfully connecting to the node, one of the following screens (Lc / Cn) is displayed indicating the node status.

**(1) Node ID screen (the Node Lc screen)**

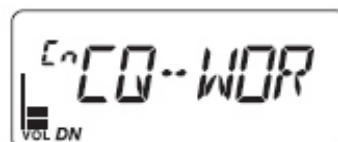
- This screen is displayed if the node is disconnected from the other node or the room on the Internet.



- The local node station's node ID is displayed.
- Continue to select a connecting node ➡ proceed to step 6

**(2) Connecting to a node ID or room ID screen (the Cn screen)**

- This screen is displayed when the node has been connected to a node or room on the Internet.

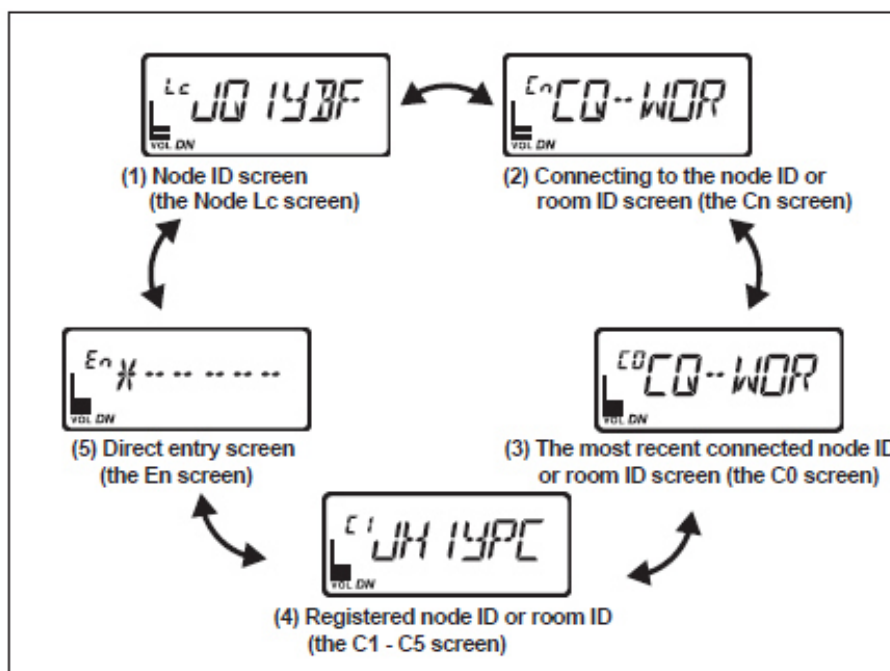


- The connecting node station's node ID is displayed.
- If not changing the connecting node/room ➡ proceed to step 7
- When changing the connecting node/room ➡ proceed to step 6



- If the node connection is not successful in 30 seconds, the beep sound is emitted and the transceiver returns to the normal operation.
- While "WIRES" is blinking, briefly press the [MODE] key to re-establish connection to the node station.

6. Rotate the **DIAL** knob to select one of the five screens (see below information), and connect to the desired node/room.



**(3) The most recent connected node ID or room ID screen (the C0 screen)**

Most recent connected node ID or room ID is displayed. A single press of the [AMS] key or PTT switch while this screen is displayed, will connect to the most recent node/room.

